

50x50x15mm

WF5015-11 Series



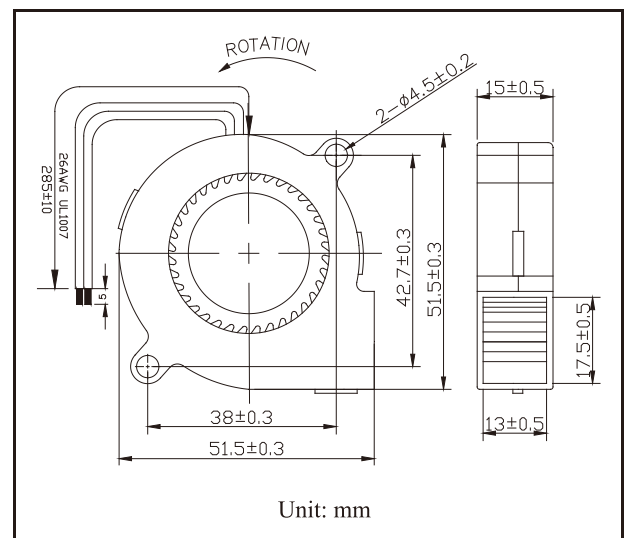
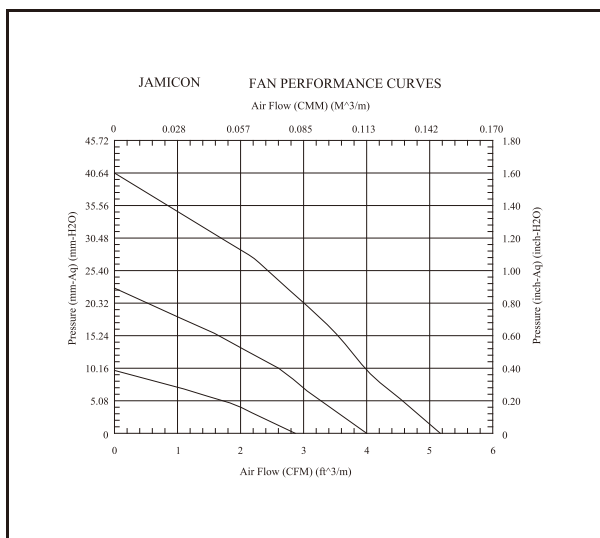
- **Frame** : Plastic Material UL 94V-0
- **Impeller** : Plastic Material UL 94V-0
- **Speed Range** : $\pm 10\%$

SPECIFICATIONS

Model	Bearing	Rated Voltage (V)	Operating Voltage (V)	Air Flow (CFM)	Static Pressure (inchH ₂ O)	Speed (R.P.M.)	Input Current (Amp)	Input Power (Watt)	Nominal Current (Amp)	Noise (dBA)	Weight (g)
WF5015-1H	B,S	12	10.2~13.8	5.17	1.596	7000	0.30	3.60	0.48	46	27
WF5015-1M				3.98	0.891	5500	0.20	2.40	0.32	42	
WF5015-1L				2.83	0.386	4000	0.10	1.20	0.22	33	

Specifications subject to change without notice

The 7TH character of Model No means the bearing code. Please refer to the page "PART NUMBER SYSTEM". Please contact us for detail if your request bearing system is not shown in the above list.



75x75x30mm

WF7530-11 Series



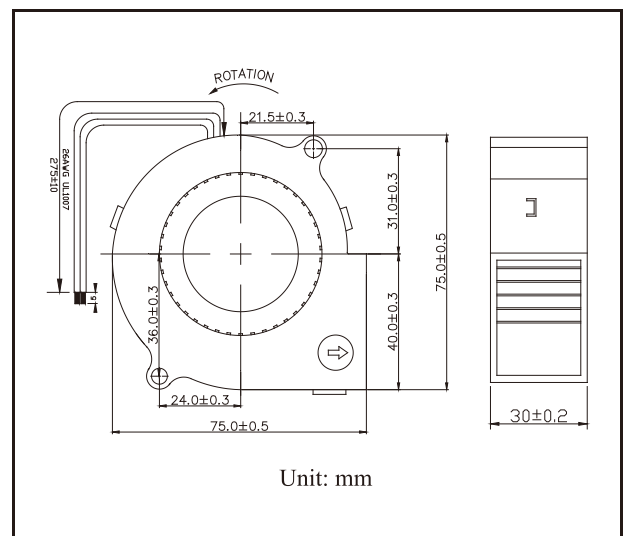
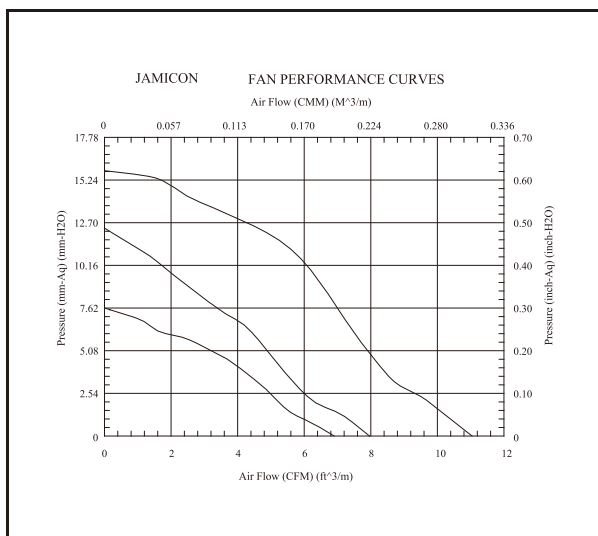
- **Frame** : Plastic Material UL 94V-0
- **Impeller** : Plastic Material UL 94V-0
- **Speed Range** : ±10%

SPECIFICATIONS

Model	Bearing	Rated Voltage (V)	Operating Voltage (V)	Air Flow (CFM)	Static Pressure (inchH ₂ O)	Speed (R.P.M.)	Input Current (Amp)	Input Power (Watt)	Nominal Current (Amp)	Noise (dBA)	Weight (g)
WF7530-1H	B,S	12	10.2~13.8	11.03	0.621	3800	0.50	6.00	0.55	44	70
WF7530-1M				7.96	0.487	3000	0.28	3.36	0.40	38	
WF7530-1L				6.94	0.297	2500	0.18	2.16	0.25	35	

Specifications subject to change without notice

The 7TH character of Model No means the bearing code. Please refer to the page "PART NUMBER SYSTEM". Please contact us for detail if your request bearing system is not shown in the above list.



97x94x33mm

WF9733-11 Series



- **Frame** : Plastic Material UL 94V-0
- **Impeller** : Plastic Material UL 94V-0
- **Speed Range** : $\pm 10\%$

SPECIFICATIONS

Model	Bearing	Rated Voltage (V)	Operating Voltage (V)	Air Flow (CFM)	Static Pressure (inchH ₂ O)	Speed (R.P.M.)	Input Current (Amp)	Input Power (Watt)	Nominal Current (Amp)	Noise (dBA)	Weight (g)
WF9733-1H	B,S	12	10.2~13.8	22.32	0.851	4000	0.55	6.60	0.56	60	150
WF9733-1M				19.06	0.549	3500	0.40	4.80	0.40	55	
WF9733-1L				16.37	0.402	3000	0.25	3.00	0.25	50	

Specifications subject to change without notice

The 7TH character of Model No means the bearing code. Please refer to the page "PART NUMBER SYSTEM". Please contact us for detail if your request bearing system is not shown in the above list.

